

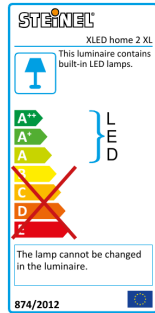
Sensor-switched LED floodlight

# XLED home 2 XL

V2 graphite

EAN 4007841 030056

Article number 030056



LED

30 years (Ø 4,5h / day)

3000 K

3000K warm-white



infrared sensor 180°



max. 10 m



IP44



Panel 180° hor., 180° ver.



Sensor 90° ver., 180° hor.



2 - 2000 lux



8 sec - 35 min



networkable via cable

## Function description

Day-bright light in XL size. Powerful XLED home 2 XL sensor-switched outdoor floodlight with 10 m sensor reach. Ideal for illuminating larger areas such as driveways, courtyards and gardens. Swivelling precision IR sensor covering 180°. Fully swivelling LED panel (180°, horizontally and vertically). Superior opal cover for optimum lighting. 2120 lm, 20 W, 180° angle of coverage, high thermal conductivity magnesium composite cooling system (HCMC).

# XLED home 2 XL

V2 graphite

EAN 4007841 030056

Article number 030056



## Technical specifications

Dimensions (L x W x H)	161 x 180 x 240 mm
Mains power supply	220 – 240 V / 50 – 60 Hz
Mounting height max.	2,00 m
Sensor Technology	passive infrared
Output	20 W
Interconnection	Yes
Type of interconnection	Sensor/slave
Luminous flux	2120 lm
Colour temperature	3000 K
Colour variation LED	SDCM3
Farbwiedergabeindex	80-89
With lamp	Yes, STEINEL LED system
Lamp	LED cannot be replaced
LED life expectancy (max. °C)	50000 h
Drop in luminous flux in accordance with LM80	L70B10
LED cooling system	HCMC (High Conductive Magnesium Composite)
With motion detector	Yes
Detection angle	180 °
Angle of aperture	35 °
Sneak-by guard	Yes
Capability of masking out individual segments	Yes

Reach, radial	r = 5 m (39 m <sup>2</sup> )
Reach, tangential	r = 10 m (157 m <sup>2</sup> )
Photo-cell controller	Yes
Twilight setting	2 – 2000 lx
Time setting	8 s – 35 Min.
Basic light level function	No
Main light adjustable	No
Settings via	Potentiometers
Soft light start	No
Impact resistance	IK03
IP-rating	IP44
Protection class	II
Ambient temperature	-20 – 40 °C
Housing material	HCMC
Cover material	Plastic, opal
Manufacturer's Warranty	5 years
Includes corner wall mount	No
PU1, net weight	0,627 kg
Version	graphite
PU1, EAN	4007841030056

## Accessories

EAN 4007841 053086      Corner wall mount XLED home 2

Sensor-switched LED floodlight

# XLED home 2 XL

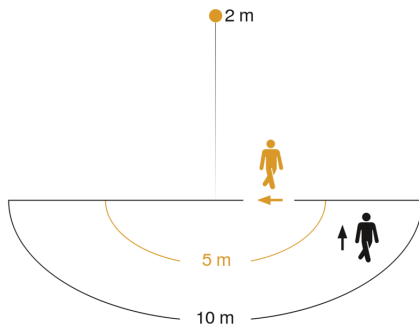
V2 graphite

EAN 4007841 030056

Article number 030056



## Detection Zone

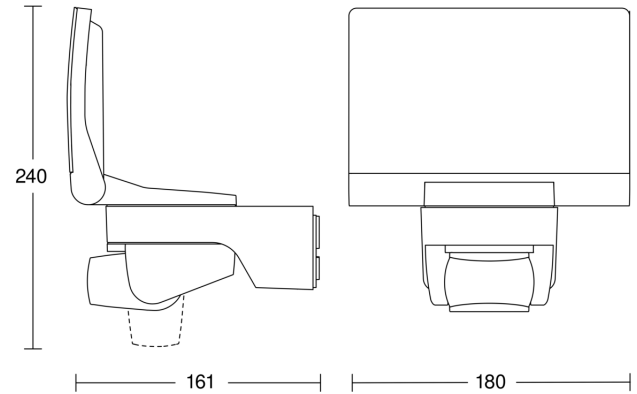


Mögliche Montagehöhe: 1,80 m – 2,00 m

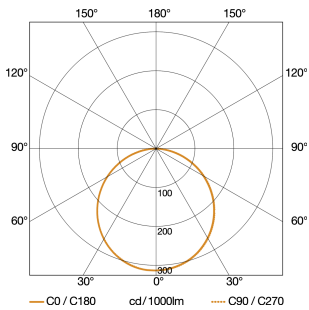
Orange: radial

Schwarz: tangential

## Dimension Drawing



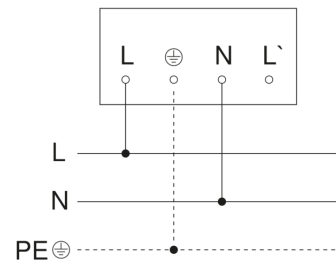
## Light Distribution Curve



Output	20 W
With lamp	Yes, STEINEL LED system
Lamp	LED cannot be replaced
Luminous flux	2120 lm
Colour temperature	3000 K
Farbwiedergabeindex	80-89
LED life expectancy (max. °C)	50000 h
LED cooling system	HCMC (High Conductive Magnesium Composite)

— C0 / C180    cd/1000lm    — C90 / C270

## Master circuit diagram



Sensor-switched LED floodlight

# XLED home 2 XL

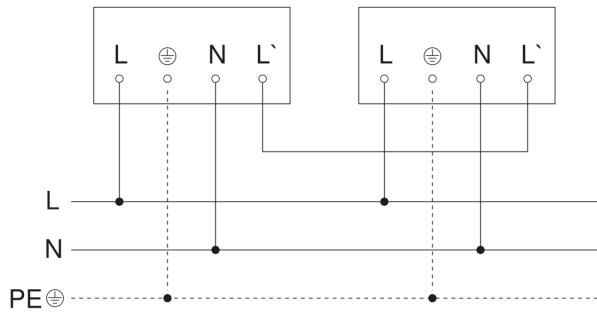
V2 graphite

EAN 4007841 030056

Article number 030056



Master/master interconnection circuit diagram



Master/slave interconnection circuit diagram

