

Motion detector

IS 140-2

white

EAN 4007841 608910

Article number 608910



infrared sensor
140°



max. 14 m

1000 W

1000 W max.
(LED-ready)



IP54



Sensor 90° ver.,
180° hor.



2 - 2000 lux



8 sec - 35 min



Ideal 2 m



energy saving

3 years

manufacturer's
warranty
[steinell.de/garantie](https://www.steinell.de/garantie)

Function description

The classic detector, now with even more class. Infrared motion detector IS 140-2, for indoors and out, ideal for targeted detection close to the building, 140° angle of coverage, reach up to 14 m, selectable time and twilight threshold, sensor turns through 180° and tilts through 90° for exact adjustment of the detection zone.

Motion detector

IS 140-2

white

EAN 4007841 608910

Article number 608910



Technical specifications

Type	Motion detectors
Dimensions (L x W x H)	99 x 86 x 82 mm
Mains power supply	230 – 240 V / 50 Hz
Sensor Technology	passive infrared
Application, place	Outdoors, Indoors
Installation site	wall
Installation	Surface wiring
Mounting height	1,80 – 3,00 m
Reach, radial	r = 3 m (11 m ²)
Reach, tangential	r = 14 m (239 m ²)
Detection angle	140 °
Angle of aperture	40 °
Switching zones	144 switching zones
Optimum mounting height	2 m
Mechanical scalability	No
Sneak-by guard	Yes
Capability of masking out individual segments	Yes
Electronic scalability	No
Twilight setting TEACH	No
Twilight setting	2 – 2000 lx
Time setting	8 s – 35 Min.
Output	1000 W
Switching output 1, resistive	1000 W
Switching output 1, number of LEDs / fluorescent lamps	6 pcs.

Fluorescent lamps, electronic ballast	430 W
Fluorescent lamps, uncorrected	500 VA
Fluorescent lamps, series-corrected	500 VA
Fluorescent lamps, parallel-corrected	500 VA
Switching output 1, low-voltage halogen lamps	1000 VA
LED lamps	16 W
LED lamps > 2 W	64 W
LED lamps > 8 W	64 W
Capacitive load in µF	88 µF
Constant-lighting control	No
Basic light level function	No
Settings via	Potentiometers
With remote control	No
Interconnection	Yes
Type of interconnection	Master/master
IP-rating	IP54
Material	Plastic
Ambient temperature	-20 – 50 °C
Application, room	outdoors, front door, all round the building, terrace / balcony, courtyard & driveway
Colour	white
Colour, RAL	9010
Manufacturer's Warranty	3 years
Version	white
PU1, EAN	4007841608910

Accessories

EAN 4007841 631765	Corner wall mount 07
EAN 4007841 631864	Corner wall mount 07

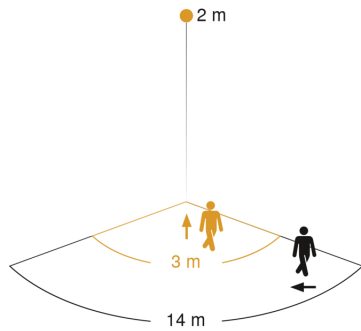
Motion detector

IS 140-2

white
 EAN 4007841 608910
 Article number 608910

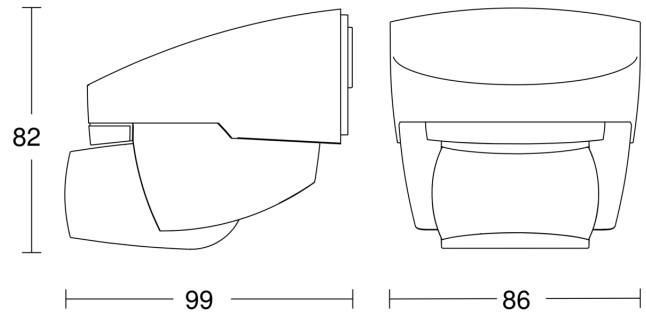


Detection Zone

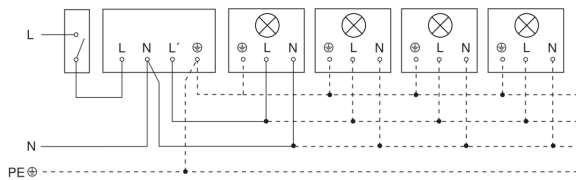


Mögliche Montagehöhe: 1,80 m – 3,00 m
 Orange: radial
 Schwarz: tangential

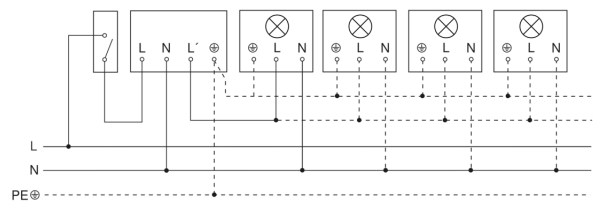
Dimension Drawing



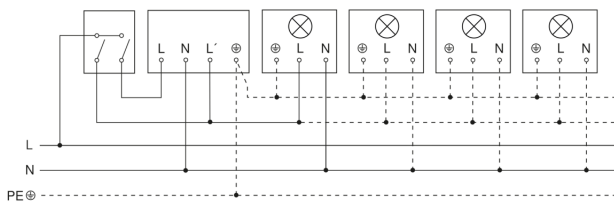
Light without neutral conductor



Light with neutral conductor



Connection using two-circuit switch for manual and automatic operation



Connection via a two-way switch for manual override and automatic operation

