

Motion detector - Professional Line

IS 345 MX Highbay

COM1 - surface, sq.

EAN 4007841 010492

Article number 010492



infrared sensor
360°



max. 30 x 4 m

2000 W

2000 W max.
(LED-ready)



IP54



2 - 1000 lux



5 sec - 15 min



manual override
4h



ideal 4 - 14 m

Teach

Teach mode



energy saving

Function description

Surveillance on the highest level. Infrared motion detector IS 345 MX Highbay for indoors, ideal for large heights in depots, high-bay warehouses, machine shops, check-in areas and departure lounges, installation height 14 m, detection zone 30 x 4 m (radial), large terminal compartment for easy installation, heavy-duty relay for high switching capacity. Available as square surface-mounted and concealed version.

IS 345 MX Highbay

COM1 - surface, sq.
 EAN 4007841 010492
 Article number 010492



Technical specifications

Type	Motion detectors	Fluorescent lamps, uncorrected	1000 VA
Dimensions (L x W x H)	65 x 95 x 95 mm	Fluorescent lamps, series-corrected	400 VA
Mains power supply	220 – 240 V / 50 – 60 Hz	Fluorescent lamps, parallel-corrected	400 VA
Sensor Technology	passive infrared	Switching output 1, low-voltage halogen lamps	2000 VA
Application, place	Indoors	LED lamps	100 W
Installation site	ceiling	LED lamps > 2 W	300 W
Installation	Surface wiring	LED lamps > 8 W	600 W
Mounting height	4,00 – 14,00 m	Capacitive load in µF	176 µF
Reach, radial	30 x 4 m (120 m ²)	Constant-lighting control	No
Reach, tangential	30 x 4 m (120 m ²)	Basic light level function	No
Detection angle	360 °	Functions	Normal / test mode, Manual ON / ON-OFF
Angle of aperture	45 °	Settings via	Remote control, Potentiometers, Smart Remote
Switching zones	280 switching zones	With remote control	No
Optimum mounting height	12 m	Interconnection	Yes
Mechanical scalability	No	Type of interconnection	Master/master
Sneak-by guard	Yes	IP-rating	IP54
Capability of masking out individual segments	Yes	Material	Plastic
Electronic scalability	No	Ambient temperature	-20 – 50 °C
Twilight setting TEACH	Yes	Application, room	high-bay warehouse, Indoors
Twilight setting	2 – 1000 lx	Colour	white
Time setting	5 s – 15 Min.	Colour, RAL	9003
Output	2000 W	Manufacturer's Warranty	5 years
Switching output 1, resistive	2000 W	Version	COM1 - surface, sq.
Switching output 1, number of LEDs / fluorescent lamps	8 pcs.	PU1, EAN	4007841010492
Fluorescent lamps, electronic ballast	1500 W		

Accessories

EAN 4007841 009151	Remote control Smart Remote
EAN 4007841 559410	Service remote control RC8
EAN 4007841 056711	Black cover for IR-sensors

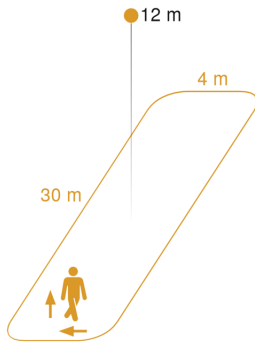
IS 345 MX Highbay

COM1 - surface, sq.

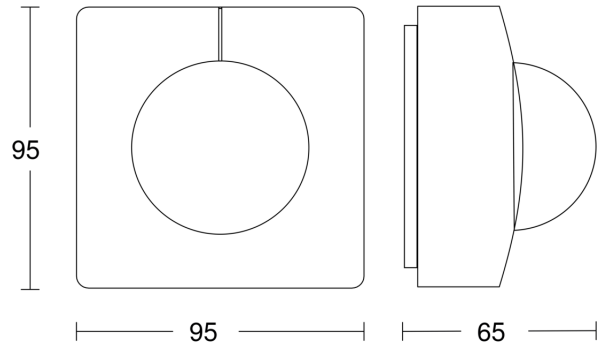
EAN 4007841 010492

Article number 010492

Detection Zone



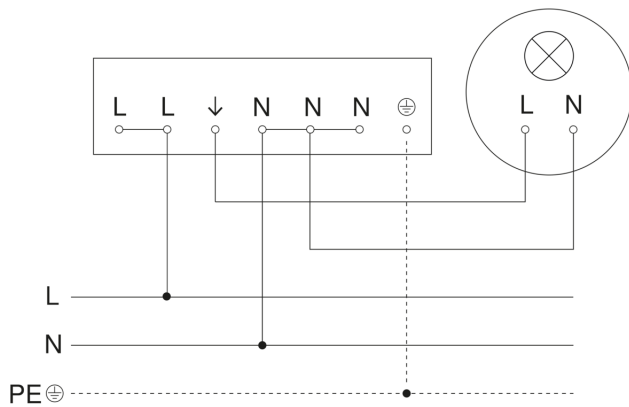
Dimension Drawing



Mögliche Montagehöhe: 4,00 m – 14,00 m

Orange: radial und tangential

Master circuit diagram



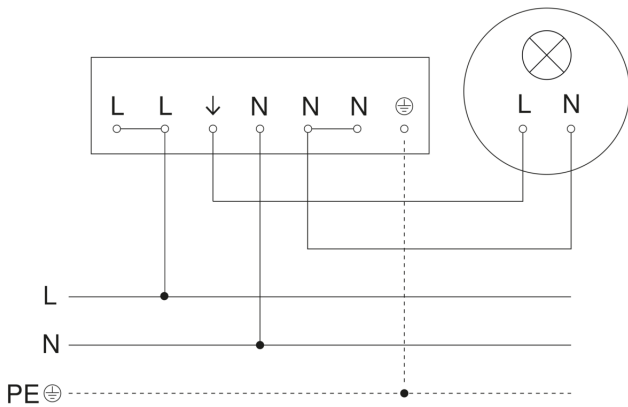
IS 345 MX Highbay

COM1 - surface, sq.

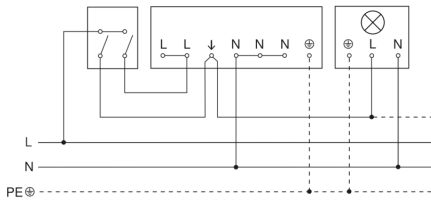
EAN 4007841 010492

Article number 010492

Master/slave interconnection circuit diagram



Connection using two-circuit switch for manual and automatic operation



Connection via a two-way switch for manual override and automatic operation

