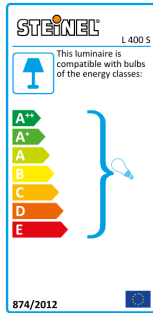


L 400 S

black
 EAN 4007841 611019
 Article number 611019



Max. 60 W							5 years		
max. 60 W E27	infrared sensor 240°	max. 12 m	IP44	2 - 2000 lux	10 sec - 15 min	energy saving	manufacturer's warranty steinel-professional.de/garantie	CE	ENEC 10

Function description

Simply classic, simply classy. Outdoor SensorLight L 400, ideal for building walls and entrance areas, for E 27 lamps, 240° angle of coverage, max. reach 12 m, basic light-level function, hand-blown crystal glass shade with decorative bubble effect.

Technical specifications

Dimensions (L x W x H)	250 x 215 x 336 mm	Photo-cell controller	Yes
Mains power supply	220 – 240 V / 50 – 60 Hz	Twilight setting	2 – 2000 lx
Mounting height max.	6,00 m	Time setting	5 s – 15 Min.
Sensor Technology	passive infrared	Basic light level function	Yes
Output	60 W	Soft light start	Yes
Interconnection	No	Continuous light	selectable, 4h
Slave modeselectable	No	Impact resistance	IK03
With lamp	No	IP-rating	IP44
Lamp	All-purpose lamp	Protection class	II
Base	E27	Ambient temperature	-20 – 40 °C
With motion detector	Yes	Housing material	Plastic
Detection angle	240 °	Cover material	Glass transparent
Angle of aperture	180 °	Manufacturer's Warranty	5 years
Sneak-by guard	Yes	Settings via	Potentiometers
Capability of masking out individual segments	Yes	With remote control	No
Electronic scalability	No	Cover material	shrouds
Mechanical scalability	No	Version	black
Reach, radial	r = 3 m (19 m ²)	PU1, EAN	4007841611019
Reach, tangential	r = 12 m (302 m ²)		

L 400 S

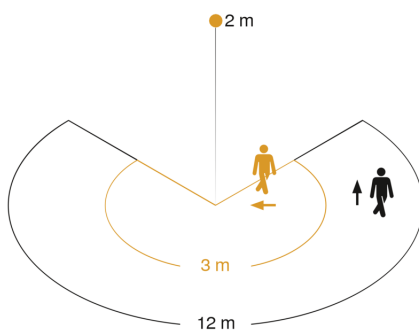
black
 EAN 4007841 611019
 Article number 611019



Accessories

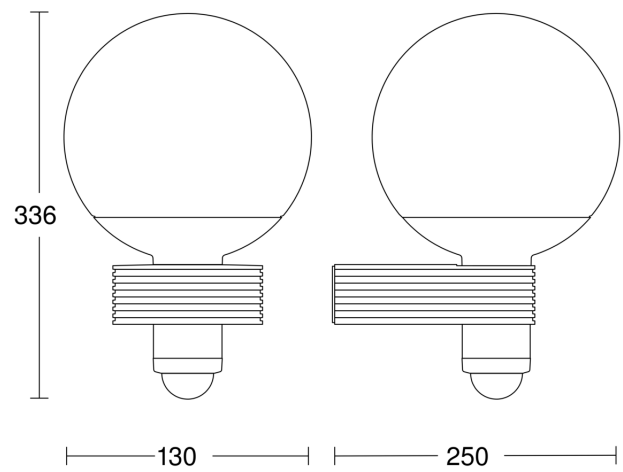
EAN 4007841 630317 Corner wall mount 03

Detection Zone

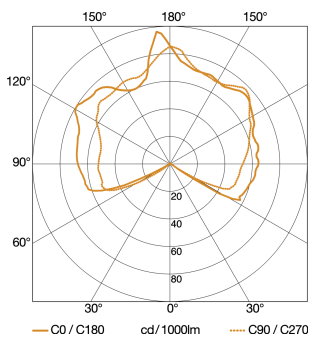


Mögliche Montagehöhe: 1,80 m – 6,00 m
 Orange: radial
 Schwarz: tangential

Dimension Drawing



Light Distribution Curve



Output
 With lamp
 Lamp
 60 W
 No
 All-purpose lamp

Slave/wireless master interconnection circuit diagram

