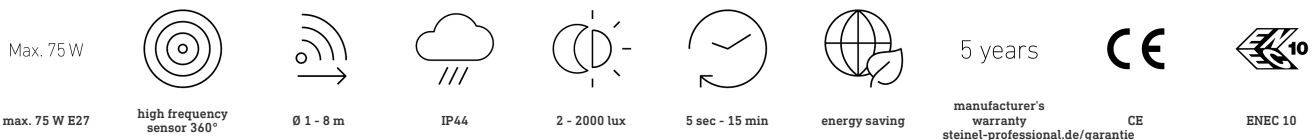
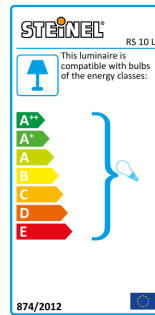


# RS 10 L

EAN 4007841 730512  
Article number 730512



## Function description

Classy and powerful. High-frequency SensorLight RS 10 L, ideal for stairwells and corridors, for E 27 lamps, matt opal glass shade, 360° detection, reach setting 1 – 8 m, selectable time and twilight threshold.

## Technical specifications

Dimensions (Ø x H)	280 x 110 mm	Mechanical scalability	No
Mains power supply	230 – 240 V / 50 Hz	Reach, radial	Ø 8 m (50 m <sup>2</sup> )
Sensor Technology	High frequency	Reach, tangential	Ø 8 m (50 m <sup>2</sup> )
Transmitter power		Continuous light	selectable
HF-system	5,8 GHz	Photo-cell controller	Yes
Output	75 W	Twilight setting	2 – 2000 lx
Power consumption	1,1 W	Time setting	5 s – 15 Min.
Switching output 1, resistive	800 W	Basic light level function	No
Interconnection	Yes	Soft light start	No
Type of interconnection	Master/master	Impact resistance	IK03
Interconnection via	Cable	IP-rating	IP44
With lamp	No	Protection class	II
Lamp	All-purpose lamp	Ambient temperature	-20 – 40 °C
Base	E27	Housing material	Aluminium
With motion detector	Yes	Cover material	Glass opal
Detection	also through glass, wood and stud walls	Manufacturer's Warranty	5 years
Detection angle	360 °	Settings via	Potentiometers
Angle of aperture	160 °	With remote control	No
Capability of masking out individual segments	No	Installation site	wall, ceiling
Electronic scalability	Yes	PU1, EAN	4007841730512

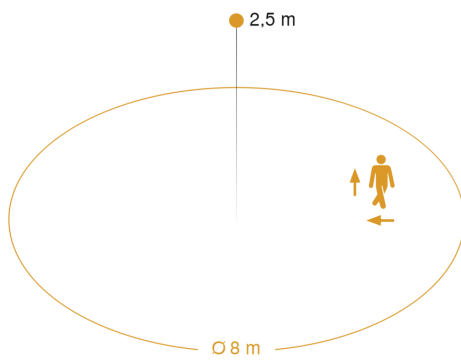
# RS 10 L

EAN 4007841 730512  
Article number 730512

## Accessories

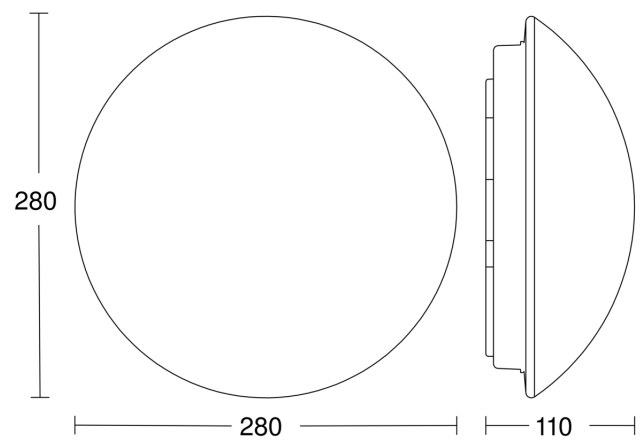
EAN 4007841 001810 Replacement glass shade for RS 10

## Detection Zone

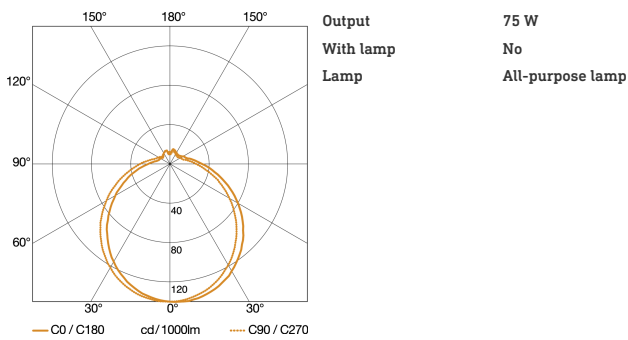


Mögliche Montagehöhe: 2,00 m – 4,00 m  
Orange: radial und tangential

## Dimension Drawing



## Light Distribution Curve



## Master circuit diagram

