

Presence detector - Professional Line

IR Quattro SLIM

DIM

EAN 4007841 593612



infrared sensor
max. 4m x 4m
presence



max. 4 x 4 m
presence

DIM

1 - 10 V

2000w

max. 2000 W



10 - 1000 lux with
RC 8



1 min - 15 min
with RC 8



ideal 2,5 - 4 m



indoor sensor

TEACH

Teach mode with
RC 8

iQ

iQ-mode

Function description

Genuine 16 m² of presence detection concentrated on 4 mm. Control PRO IR Quattro SLIM DIM presence detector for indoors, ideal for small offices, store, service and utility rooms, washrooms and WCs, for mounting at a height of up to 4 m, for controlling and switching light ON and OFF, square presence detection zone covering 16m², high-quality retina lens.

IR Quattro SLIM

DIM

EAN 4007841 593612

Technical specifications

Type	Presence detector
Dimensions (L x W x H)	55 x 77 x 77 mm
Mains power supply	120 – 250 V / 50 – 60 Hz
Power supply, detail	500 VA max., 120 V
Sensor Technology	passive infrared
Application, place	Indoors
Application, place, room	one-person office, hotel room, care room, function room / ancillary room, WC / washroom, Indoors
Installation site	ceiling
Installation	Installation
Switching zones	260 switching zones
Electronic scalability	No
Mechanical scalability	No
Mounting height	2,50 – 4,00 m
Optimum mounting height	2,8 m
Detection angle	360 °
Sneak-by guard	Yes
Capability of masking out individual segments	No
Reach, detail	Retina lens and hexagonal Fresnel structure
Reach, radial	4 x 4 m (16 m ²)
Reach, tangential	4 x 4 m (16 m ²)
Reach, presence	4 x 4 m (16 m ²)

Twilight setting TEACH	Yes
Twilight setting	100 – 1000 lx
Time setting	30 s – 30 min
Switching output 1, resistive	2000 W
Number of electronic ballasts, DIM interface	50
Constant-lighting control	Yes
Basic light level function	Yes
Functions	Normal / test mode, Semi-/fully automatic, Pushbutton / switch mode, Manual ON / ON-OFF, Constant-lighting control ON-OFF
Settings via	Remote control, Smart Remote
With remote control	No
Interconnection	Yes
Type of interconnection	Master/slave, Master/master
IP-rating	IP20
Material	Plastic
Ambient temperature	0 – 40 °C
Colour	white
Colour, RAL	9010
Manufacturer's Warranty	5 years
Version	DIM
PU1, EAN	4007841593612

Accessories

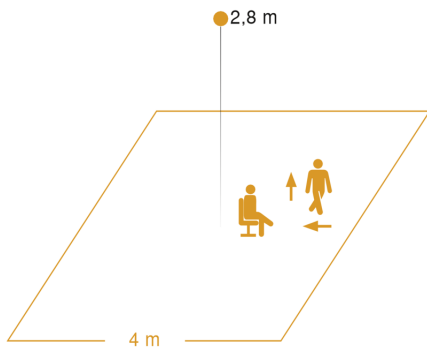
EAN 4007841 009151	Remote control Smart Remote
EAN 4007841 592806	User remote control RC5
EAN 4007841 559410	Service remote control RC8

IR Quattro SLIM

DIM

EAN 4007841 593612

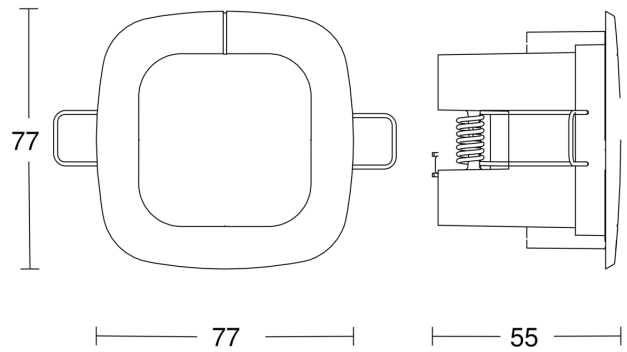
Detection Zone



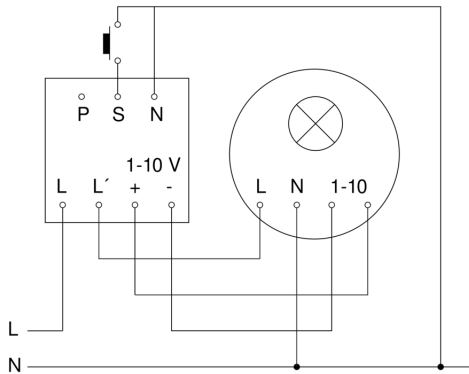
Mögliche Montagehöhe: 2,50 m – 4,00 m

Orange: Präsenz, tangential und radial

Dimension Drawing



Master circuit diagram



Master/slave interconnection circuit diagram

