

Motion detector - Professional Line

IS 2160 ECO

black

EAN 4007841 605919

Article number 605919



infrared sensor
160°



max. 12 m

600 W

600 W max.
(LED-ready)



IP54



Sensor 70° ver.,
40° hor.



2 - 2000 lux



8 sec - 35 min



Ideal 2 m



energy saving

5 years

manufacturer's
warranty
[steinell-professional.de/garantie](https://www.steinell.de/garantie)

Function description

This one sees everything. Infrared motion detector IS 2160 ECO for indoors and out, ideal for entrances and the smaller-size property, ideal installation height 2 m, 160° angle of coverage, max. reach 12 m (tangential), selectable time and twilight threshold, turns through 40° and tilts through 70°.

IS 2160 ECO

black
 EAN 4007841 605919
 Article number 605919



Technical specifications

Type	Motion detectors
Dimensions (L x W x H)	73 x 78 x 113 mm
Mains power supply	230 – 240 V / 50 Hz
Sensor Technology	passive infrared
Application, place	Outdoors, Indoors
Installation site	wall
Installation	Surface wiring
Mounting height	1,80 – 3,00 m
Reach, radial	r = 3 m (13 m ²)
Reach, tangential	r = 12 m (201 m ²)
Detection angle	160 °
Angle of aperture	40 °
Switching zones	260 switching zones
Optimum mounting height	2 m
Mechanical scalability	No
Sneak-by guard	No
Capability of masking out individual segments	Yes
Electronic scalability	No
Twilight setting TEACH	No
Twilight setting	2 – 2000 lx
Time setting	8 s – 35 Min.
Output	600 W
Switching output 1, resistive	600 W
Switching output 1, number of LEDs / fluorescent lamps	4 pcs.
Fluorescent lamps, electronic ballast	430 W

Fluorescent lamps, uncorrected	500 VA
Fluorescent lamps, series-corrected	406 VA
Fluorescent lamps, parallel-corrected	406 VA
Switching output 1, low-voltage halogen lamps	500 VA
LED lamps	16 W
LED lamps > 2 W	64 W
LED lamps > 8 W	64 W
Capacitive load in µF	88 µF
Constant-lighting control	No
Basic light level function	No
Settings via	Potentiometers
With remote control	No
Interconnection	Yes
Type of interconnection	Master/master
IP-rating	IP54
Material	Plastic
Ambient temperature	-20 – 50 °C
Application, room	outdoors, front door, all round the building, terrace / balcony, courtyard & driveway
Colour	black
Colour, RAL	9005
IDs, certificates	VDE
Manufacturer's Warranty	5 years
Version	black
PU1, EAN	4007841605919

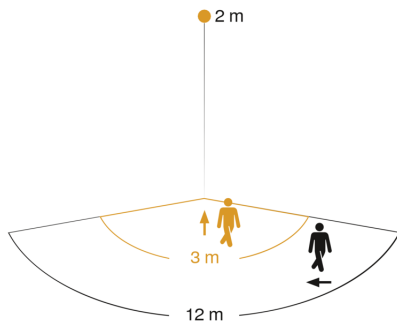
IS 2160 ECO

black

EAN 4007841 605919

Article number 605919

Detection Zone

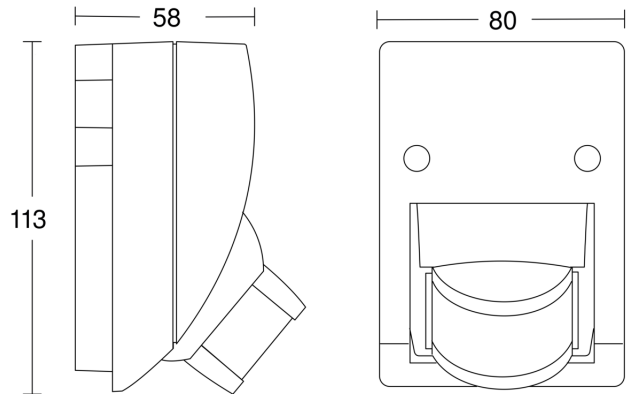


Mögliche Montagehöhe: 1,80 m – 3,00 m

Orange: radial

Schwarz: tangential

Dimension Drawing



Circuit diagram

