

Motion detector

# IR 180 UP easy

Concealed wiring

EAN 4007841 055790

Article number 055790



infrared sensor  
180°



max. 8 m



2- or 3-wire

200 W

200 W max.  
(LED-ready)



manual switch  
ON/OFF



IP20



2 - 1000 lux



5 sec - 30 min



energy saving



CE

## Function description

The new universal wizard. Lighting automation made easy: the IR 180 UP easy sensor switch is a revolutionary world first. It works in both as 2 and 3-wire installations and can switch all type of lamps ON and OFF. Simply replace existing flush-mounted switches – done! With 180° infrared sensor (8 m reach) and button for manual switching.

## Motion detector

# IR 180 UP easy

Concealed wiring

EAN 4007841 055790

Article number 055790



## Technical specifications

Type	Motion detectors
Dimensions (L x W x H)	57 x 81 x 81 mm
Mains power supply	220 – 240 V / 50 – 60 Hz
Sensor Technology	passive infrared
Application, place	Indoors
Installation site	wall
Installation	Concealed wiring
Mounting height	1,10 – 2,20 m
Reach, radial	r = 2 m (6 m <sup>2</sup> )
Reach, tangential	r = 8 m (101 m <sup>2</sup> )
Detection angle	180 °
Angle of aperture	90 °
Optimum mounting height	1,1 m
Mechanical scalability	No
Sneak-by guard	Yes
Capability of masking out individual segments	No
Electronic scalability	No
Twilight setting TEACH	No
Twilight setting	2 – 1000 lx
Time setting	5 s – 30 Min.
Output	200 W
Switching output 1, resistive	200 W
Switching output 1, number of LEDs / fluorescent lamps	4 pcs.
Fluorescent lamps, electronic ballast	150 W

Fluorescent lamps, uncorrected	150 VA
Fluorescent lamps, series-corrected	150 VA
Fluorescent lamps, parallel-corrected	150 VA
Switching output 1, low-voltage halogen lamps	200 VA
LED lamps	40 W
LED lamps > 2 W	100 W
LED lamps > 8 W	160 W
Capacitive load in µF	132 µF
Constant-lighting control	No
Basic light level function	No
Settings via	Potentiometers
With remote control	No
Interconnection	No
IP-rating	IP20
Material	Plastic
Ambient temperature	0 – 40 °C
Application, room	corridor / aisle, function room / ancillary room, kitchenette, stairwell, WC / washroom, Indoors
Colour	white
Colour, RAL	9010
IDs, certificates	VDE
Manufacturer's Warranty	3 years
Version	Concealed wiring
PU1, EAN	4007841055790

Motion detector

# IR 180 UP easy

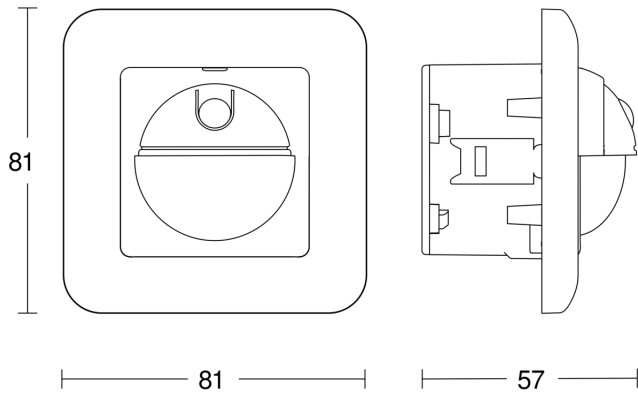
Concealed wiring

EAN 4007841 055790

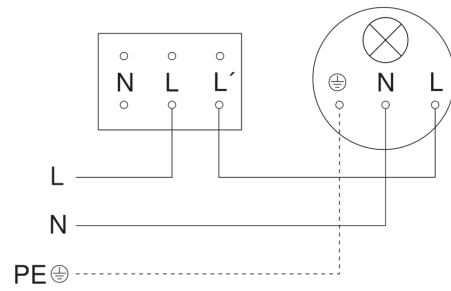
Article number 055790



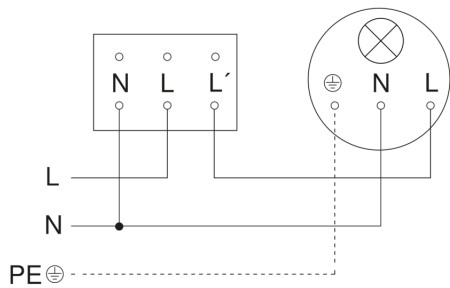
## Dimension Drawing



## 2-wire circuit diagram



## 3-wire circuit diagram



## Circuit diagram for interconnecting several sensors

