

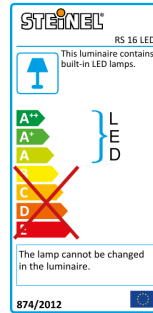
Sensor-switched LED indoor light

RS 16 LED

Glass

EAN 4007841 035105

Article number 035105



LED

30 years (Ø 4,5h / day)

3000 K

3000K warm-white



infrared sensor 360°



Ø 3 - 8 m



IP44



2 - 2000 lux



5 sec - 15 min



manual override 4h



networkable via cable



indoor light

Function description

Evolution of a classic. RS 16 LED sensor-switched indoor light, ideal for corridors, hallways, stairwells and bathrooms. Integrated high-frequency sensor with 360° coverage, 3-8 m reach all round. The latest LED technology, 840 lm at a consumption of only 9,5 W. Adjustable time and twilight threshold.

RS 16 LED

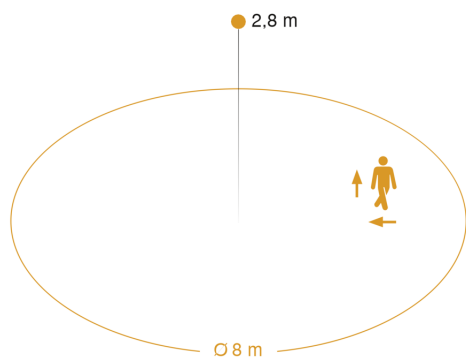
Glass
 EAN 4007841 035105
 Article number 035105

Technical specifications

Dimensions (Ø x H)	275 x 95 mm
Mains power supply	220 – 240 V / 50 – 60 Hz
Sensor Technology	High frequency
Transmitter power	
HF-system	5,8 GHz
Output	9,5 W
Power consumption	0,38 W
Interconnection	Yes
Type of interconnection	Master/master
Interconnection via	Cable
Slave modeselectable	No
Luminous flux	840 lm
Colour temperature	3000 K
Colour variation LED	SDCM3
Colour Rendering Index	80-89
With lamp	Yes, STEINEL LED system
Lamp	LED cannot be replaced
LED life expectancy (max. °C)	50000 h
Drop in luminous flux in accordance with LM80	L70B10
Base	without
LED cooling system	Passive Thermo Control
With motion detector	Yes
Detection	also through glass, wood and stud walls
Detection angle	360 °

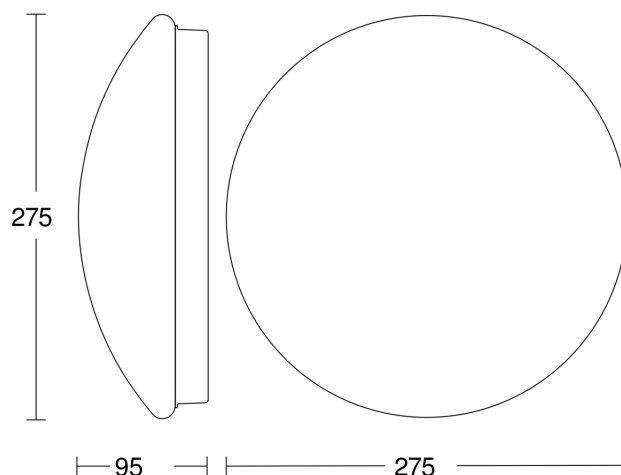
Angle of aperture	160 °
Capability of masking out individual segments	No
Electronic scalability	Yes
Mechanical scalability	No
Reach, radial	Ø 8 m (50 m ²)
Reach, tangential	Ø 8 m (50 m ²)
Continuous light	selectable, 4h
Photo-cell controller	Yes
Twilight setting	2 – 2000 lx
Time setting	5 s – 15 Min.
Basic light level function	No
Soft light start	No
Impact resistance	IK03
IP-rating	IP44
Protection class	II
Ambient temperature	-10 – 40 °C
Housing material	Glass
Cover material	Glass opal
Manufacturer's Warranty	3 years
Settings via	Potentiometers
With remote control	No
Installation site	wall, ceiling
Version	Glass
PU1, EAN	4007841035105

Detection Zone



Mögliche Montagehöhe: 2,00 m – 4,00 m
 Orange: radial und tangential

Dimension Drawing



Sensor-switched LED indoor light

RS 16 LED

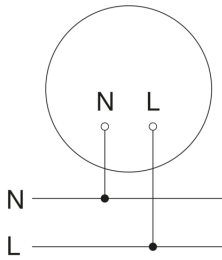
Glass

EAN 4007841 035105

Article number 035105



Circuit diagram



Master/master interconnection circuit diagram

