

IR 180

COM1 - white

EAN 4007841 029944

Article number 029944



infrared sensor
180°



max. 20 m

2000 W

2000 W max.
(LED-ready)



IP20



2 - 1000 lux



30 sec - 30 min



indoor sensor



energy saving

5 years

manufacturer's
warranty
[steinel-professional.de/garantie](https://www.steinel-professional.de/garantie)



CE

Function description

The new benchmark. High-precision IR 180 infrared presence sensor with a reach of 20 m. Ideal for new builds. 180° angle of coverage. Fast and easy 3-wire installation. Attractive design. Integrated button for manual override. The KNX version also provides temperature and air humidity readings.

IR 180

COM1 - white
 EAN 4007841 029944
 Article number 029944



Technical specifications

Type	Presence detector
Dimensions (L x W x H)	30 x 80 x 80 mm
Mains power supply	220 – 240 V / 50 – 60 Hz
Sensor Technology	passive infrared
Application, place	Indoors
Installation site	wall
Installation	Concealed wiring
Mounting height	1,10 – 1,20 m
Reach, radial	r = 4 m (25 m ²)
Reach, tangential	r = 20 m (628 m ²)
Reach, presence	r = 4 m (25 m ²)
Detection angle	180 °
Angle of aperture	90 °
Switching zones	96 switching zones
Optimum mounting height	1,2 m
Mechanical scalability	No
Sneak-by guard	Yes
Capability of masking out individual segments	No
Electronic scalability	Yes
Twilight setting TEACH	Yes
Twilight setting	2 – 1000 lx
Time setting	30 s – 30 Min.
Output	2000 W
Switching output 1, resistive	2000 W
Switching output 1, number of LEDs / fluorescent lamps	8 pcs.

Fluorescent lamps, electronic ballast	1000 W
Fluorescent lamps, uncorrected	1000 VA
Fluorescent lamps, series-corrected	400 VA
Fluorescent lamps, parallel-corrected	500 VA
Switching output 1, low-voltage halogen lamps	2000 VA
LED lamps	100 W
LED lamps > 2 W	300 W
LED lamps > 8 W	600 W
Capacitive load in µF	176 µF
Constant-lighting control	No
Basic light level function	No
Functions	Normal / test mode, Semi-/fully automatic, Switch active / switch inactive, Manual ON / ON-OFF
Settings via	Remote control, DIP switches, Potentiometers, Smart Remote
With remote control	No
Interconnection	Yes
Type of interconnection	Master/master, Master/slave
IP-rating	IP20
Material	Plastic
Ambient temperature	0 – 40 °C
Application, room	one-person office, corridor / aisle, function room / ancillary room, kitchenette, stairwell, WC / washroom, Indoors
Colour	white
Colour, RAL	9010
Manufacturer's Warranty	5 years
Version	COM1 - white
PU1, EAN	4007841029944

Accessories

EAN 4007841 034160	Adapter surround for IR/HF 180
EAN 4007841 034184	Adapter surround for IR/HF 180
EAN 4007841 034139	Adapter surround for IR/HF 180
EAN 4007841 559410	Service remote control RC8
EAN 4007841 009151	Remote control Smart Remote

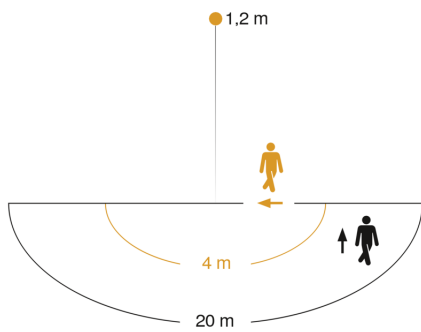
IR 180

COM1 - white

EAN 4007841 029944

Article number 029944

Detection Zone

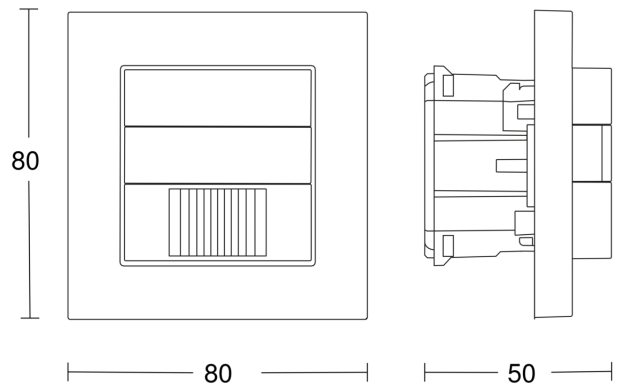


Mögliche Montagehöhe: 1,10 m – 1,20 m

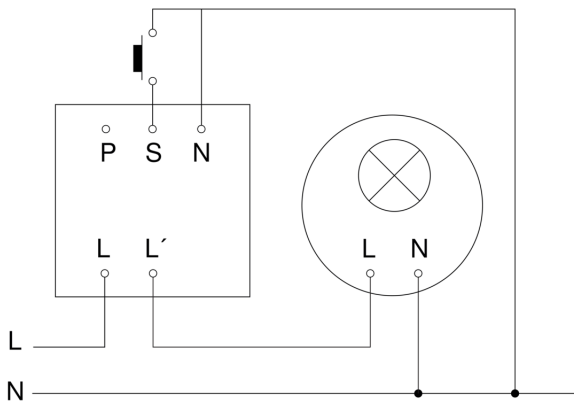
Orange: radial

Schwarz: tangential

Dimension Drawing



Master circuit diagram



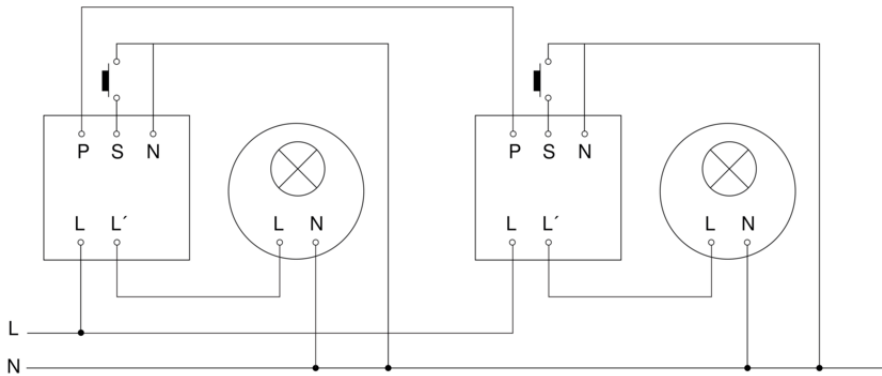
IR 180

COM1 - white

EAN 4007841 029944

Article number 029944

Master/master interconnection circuit diagram



Master/slave interconnection circuit diagram

