

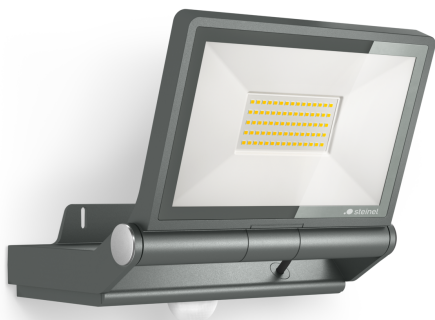
Sensor-switched LED floodlight - Professional Line

XLED PRO ONE Max S

Anthracite

EAN 4007841 069537

Article number 069537



LED

long life LED
50.000 h

3000 K

3000K
warm-white



infrared sensor
240°



max. 10 m



IP44



Panel 180° vertical



2 - 1000 lux



8 sec - 35 min



indoor/outdoor
light



10% basic
brightness

Function description

Floodlights redefined. Housed in a sophisticated aluminium enclosure, the 180° vertically swivelling floodlight XLED PRO ONE Max S guarantees daylight-bright illumination across large areas with warm white 3000 K and 6350 lm at 50,5 W. Features include a 240° infrared sensor (10 m range), plug-in cover caps to limit the detection zone, a basic light function (10%), and an optional surface-mounting adapter. Connected by cable. Adjusted by potentiometer and remote control. Maximum mounting height: 6 m. 5-year guarantee.

XLED PRO ONE Max S

Anthracite

EAN 4007841 069537

Article number 069537



Technical specifications

Dimensions (L x W x H)	202 x 259 x 250 mm
Mains power supply	220 – 240 V / 50 – 60 Hz
Mounting height max.	6,00 m
Sensor Technology	passive infrared
Output	50,5 W
Interconnection	Yes
Slave modeselectable	No
Luminous flux	6350 lm
Colour temperature	3000 K
Colour variation LED	SDCM3
Colour Rendering Index	80-89
With lamp	Yes, STEINEL LED system
Lamp	LED cannot be replaced
LED life expectancy (max. °C)	50000 h
Drop in luminous flux in accordance with LM80	L70B10
LED cooling system	Passive Thermo Control
With motion detector	Yes
Detection angle	240 °
Angle of aperture	180 °
Sneak-by guard	Yes
Capability of masking out individual segments	No
Reach, radial	r = 3 m (19 m ²)

Reach, tangential	r = 12 m (302 m ²)
Photo-cell controller	Yes
Twilight setting	2 – 2000 lx
Time setting	8 s – 35 Min.
Basic light level function	Yes
Basic light level function time	10/30 min, all night
Main light adjustable	No
Functions	DIM function, Light sensor, Motions sensor, Orientation light
Settings via	Remote control, Potentiometers, App
Soft light start	Yes
Impact resistance	IK03
IP-rating	IP44
Protection class	I
Ambient temperature	-20 – 40 °C
Housing material	Aluminium
Cover material	Glass transparent
Manufacturer's Warranty	5 years
Includes corner wall mount	No
PU1, net weight	1,73 kg
Version	Anthracite
PU1, EAN	4007841069537

Accessories

EAN 4007841 080983 Surface mount adapter XLED PRO ONE Plus + Max

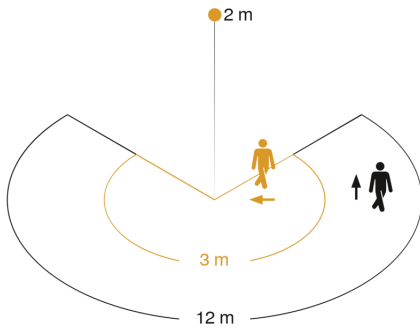
XLED PRO ONE Max S

Anthracite

EAN 4007841 069537

Article number 069537

Detection Zone

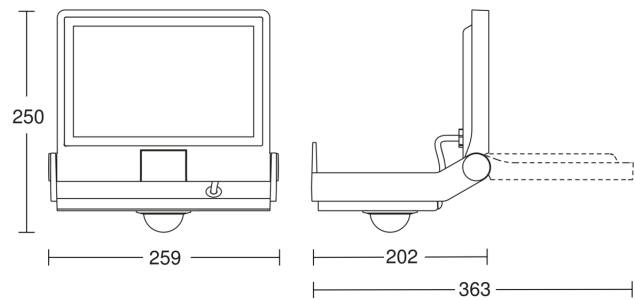


Mögliche Montagehöhe: 1,80 m – 6,00 m

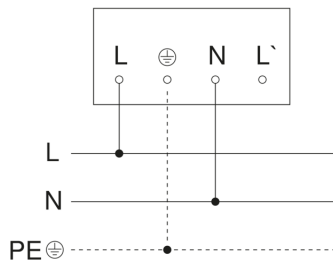
Orange: radial

Schwarz: tangential

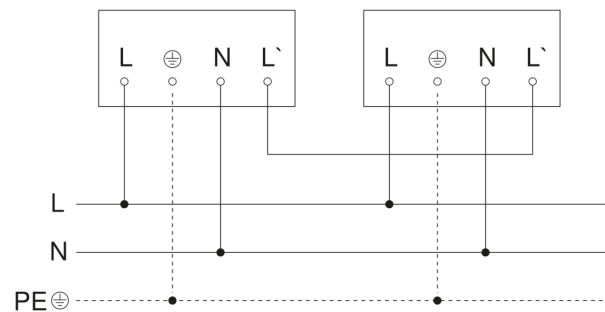
Dimension Drawing



Master circuit diagram



Master/master interconnection circuit diagram



XLED PRO ONE Max S

Anthracite

EAN 4007841 069537

Article number 069537

Master/slave interconnection circuit diagram

