

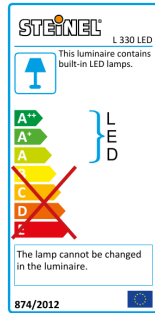
Sensor-switched LED outdoor light - Professional Line

# L 330 LED

Anthracite

EAN 4007841 053079

Article number 053079



LED

30 years (Ø 4,5h / day)

3000 K

3000K warm-white



infrared sensor 360°



max. 7 m



IP44



2 - 1000 lux



5 sec - 15 min



soft light start



shock proof IK10



manual override 4h

## Function description

Classically beautiful. And sturdy. The round L 330 LED sensor-switched outdoor LED light illuminates driveways, garages or stairs with pleasant, even light while creating an inviting atmosphere. The base is made of weatherproof plastic, the diffuser of impact-resistant PMMA (IK10). With 360° infrared mini sensor and four programmes. With 720 lm at only 8,4 W. 3000 K colour temperature. Several lights can be interconnected by cable.

# L 330 LED

Anthracite

EAN 4007841 053079

Article number 053079

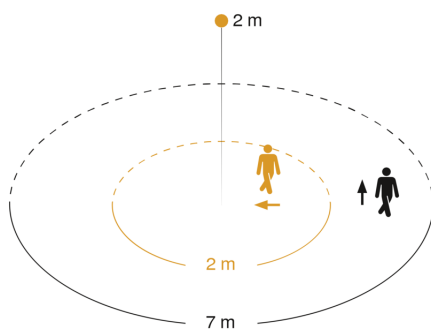


## Technical specifications

Dimensions (L x W x H)	109 x 253 x 270 mm
Mains power supply	220 – 240 V / 50 – 60 Hz
Mounting height max.	2,50 m
Sensor Technology	passive infrared
Output	8,4 W
Interconnection	Yes
Type of interconnection	Master/master
Slave modeselectable	No
Luminous flux	720 lm
Efficiency	80 lm/W
Colour temperature	3000 K
Colour variation LED	SDCM3
Colour Rendering Index	80-89
With lamp	Yes, STEINEL LED system
Lamp	LED cannot be replaced
LED life expectancy (max. °C)	50000 h
LED life expectancy (25 °C)	> 60000 h
Base	without
LED cooling system	Passive Thermo Control
With motion detector	Yes
Detection angle	360 °
Sneak-by guard	Yes
Capability of masking out individual segments	Yes
Electronic scalability	No

Mechanical scalability	No
Reach, radial	r = 2 m (13 m <sup>2</sup> )
Reach, tangential	r = 7 m (154 m <sup>2</sup> )
Photo-cell controller	Yes
Twilight setting	2 – 1000 lx
Time setting	5 s – 15 Min.
Basic light level function	Yes
Basic light level function time	10/30 min, all night
Functions	4 programme settings geared to practical needs, can be selected on removable sensor module
Soft light start	Yes
Continuous light	selectable, 4h
Impact resistance	IK10
IP-rating	IP44
Protection class	II
Ambient temperature	-20 – 35 °C
Housing material	Plastic
Cover material	Plastic, opal
Manufacturer's Warranty	5 years
Settings via	Potentiometers
With remote control	No
Cover material	shrouds
Version	Anthracite
PU1, EAN	4007841053079

## Detection Zone

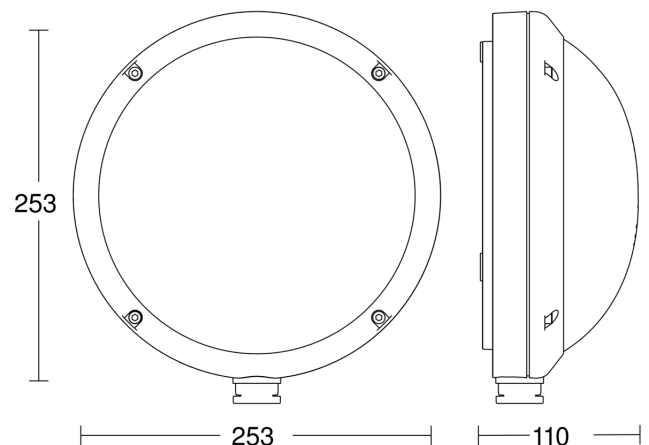


Mögliche Montagehöhe: 1.80 m – 2.50 m

Orange: radial

Schwarz: tangential

## Dimension Drawing



# L 330 LED

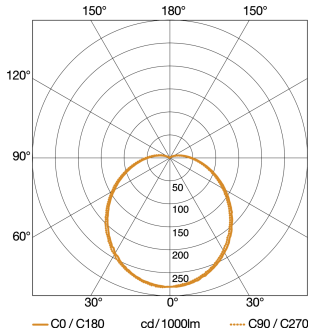
Anthracite

EAN 4007841 053079

Article number 053079

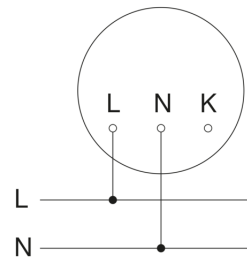


## Light Distribution Curve



Output	8,4 W
With lamp	Yes, STEINEL LED system
Lamp	LED cannot be replaced
Luminous flux	720 lm
Colour temperature	3000 K
Colour Rendering Index	80-89
LED life expectancy (max. °C)	50000 h
LED cooling system	Passive Thermo Control

## Master circuit diagram



## Master/master interconnection circuit diagram

