

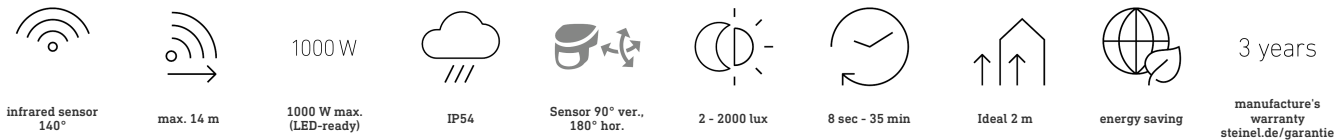
Motion detector

# IS 140-2 Z-Wave

black

EAN 4007841 029807

Article number 029807



## Function description

The classic detector, now with even more class. Infrared motion detector IS 140-2 Z-Wave, can be integrated into the Smart Friends system or any other Z-Wave network, for indoors and out, ideal for targeted detection close to the building, 140° angle of coverage, reach up to 14 m, selectable time and twilight threshold, sensor turns through 180° and tilts through 90° for exact adjustment of the detection zone.

## Motion detector

# IS 140-2 Z-Wave

black

EAN 4007841 029807

Article number 029807



## Technical specifications

Type	Motion detectors	Fluorescent lamps, electronic ballast	430 W
Dimensions (L x W x H)	99 x 86 x 82 mm	Fluorescent lamps, uncorrected	500 VA
Mains power supply	230 – 240 V / 50 Hz	Fluorescent lamps, series-corrected	500 VA
Sensor Technology	passive infrared	Fluorescent lamps, parallel-corrected	500 VA
Application, place	Outdoors, Indoors	Switching output 1, low-voltage halogen lamps	1000 VA
Installation site	wall	LED lamps	16 W
Installation	Surface wiring	LED lamps > 2 W	64 W
Mounting height	1,80 – 3,00 m	LED lamps > 8 W	64 W
Reach, radial	r = 3 m (11 m <sup>2</sup> )	Capacitive load in µF	132 µF
Reach, tangential	r = 14 m (239 m <sup>2</sup> )	Constant-lighting control	No
Detection angle	140 °	Basic light level function	No
Angle of aperture	40 °	Functions	Sensor channel, Actuator channel
Switching zones	144 switching zones	Settings via	Z-Wave, Potentiometers
Optimum mounting height	2 m	With remote control	No
Mechanical scalability	No	Interconnection	Yes
Sneak-by guard	Yes	IP-rating	IP54
Capability of masking out individual segments	Yes	Material	Plastic
Electronic scalability	No	Ambient temperature	-20 – 50 °C
Twilight setting TEACH	No	Application, room	outdoors, front door, all round the building, terrace / balcony, courtyard & driveway
Twilight setting	2 – 2000 lx	Colour	black
Time setting	5 s – 15 Min.	Colour, RAL	9005
Output	1000 W	Manufacturer's Warranty	3 years
Switching output 1, resistive	1000 W	Version	black
Switching output 1, number of LEDs / fluorescent lamps	6 pcs.	PU1, EAN	4007841029807

## Accessories

EAN 4007841 029876	Smartfriends Box
EAN 4007841 631864	Corner wall mount 07
EAN 4007841 631765	Corner wall mount 07

Motion detector

# IS 140-2 Z-Wave

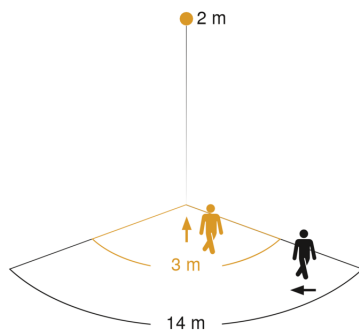
black

EAN 4007841 029807

Article number 029807



## Detection Zone

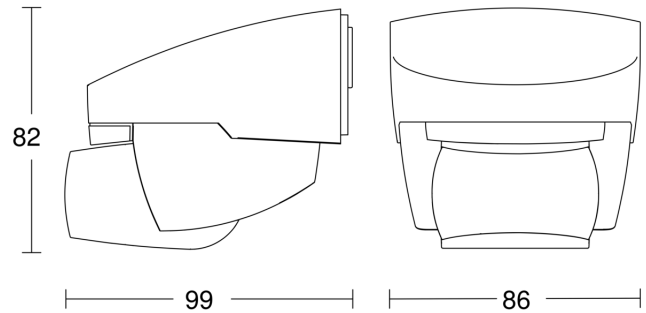


Mögliche Montagehöhe: 1,80 m – 3,00 m

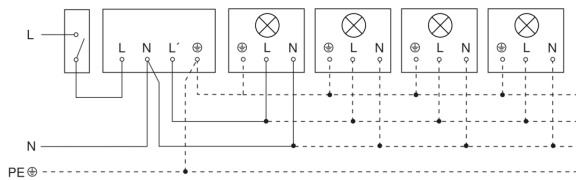
Orange: radial

Schwarz: tangential

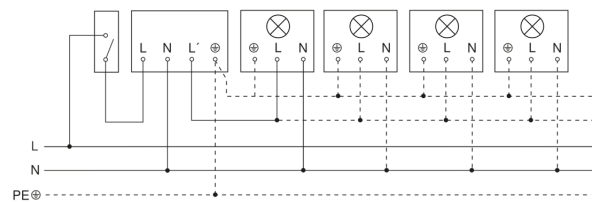
## Dimension Drawing



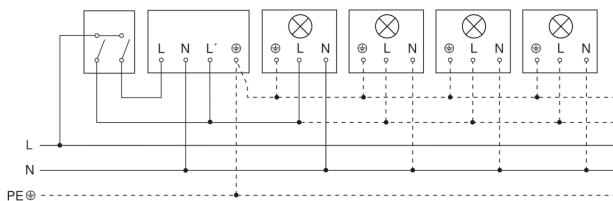
## Light without neutral conductor



## Light with neutral conductor



## Connection using two-circuit switch for manual and automatic operation



## Connection via a two-way switch for manual override and automatic operation

