

Motion detector - Professional Line

IS 3360 MX Highbay

COM1 - surface, sq.

EAN 4007841 033569

Article number 033569



infrared sensor
360°



18 m

2000 W

2000 W max.
(LED-ready)



IP54



2 - 1000 lux



5 sec - 15 min



manual override
4h



ideal 4 - 14 m

Teach

Teach mode



energy saving

Function description

A head for heights. Powerful reach. Reliable. IS 3360 MX Highbay motion detector – ideal for high ceilings in industrial buildings or commercial properties. For mounting heights of up to 14 m. High-precision 360° infrared sensor. Maximum reach: 18 m. For watching over up to 1000 sq.m. Available as square surface-mounted and concealed version.

IS 3360 MX Highbay

COM1 - surface, sq.

EAN 4007841 033569

Article number 033569



Technical specifications

Type	Motion detectors	Fluorescent lamps, uncorrected	1000 VA
Dimensions (L x W x H)	65 x 95 x 95 mm	Fluorescent lamps, series-corrected	400 VA
Mains power supply	220 – 240 V / 50 – 60 Hz	Fluorescent lamps, parallel-corrected	400 VA
Sensor Technology	passive infrared	Switching output 1, low-voltage halogen lamps	2000 VA
Application, place	Indoors	LED lamps	100 W
Installation site	ceiling	LED lamps > 2 W	300 W
Installation	Surface wiring	LED lamps > 8 W	600 W
Mounting height	4,00 – 14,00 m	Capacitive load in μF	176 μF
Reach, radial	\varnothing 14 m (154 m ²)	Constant-lighting control	No
Reach, tangential	\varnothing 36 m (1018 m ²)	Basic light level function	No
Detection angle	360 °	Functions	Normal / test mode, Manual ON / ON-OFF
Angle of aperture	180 °	Settings via	Remote control, Potentiometers, Smart Remote
Switching zones	1416 switching zones	With remote control	No
Optimum mounting height	12 m	Interconnection	Yes
Mechanical scalability	No	Type of interconnection	Master/master
Sneak-by guard	Yes	IP-rating	IP54
Capability of masking out individual segments	Yes	Material	Plastic
Electronic scalability	No	Ambient temperature	-20 – 50 °C
Twilight setting TEACH	Yes	Application, room	high-bay warehouse, sports hall, Indoors
Twilight setting	2 – 1000 lx	Colour	white
Time setting	5 s – 15 Min.	Colour, RAL	9003
Output	2000 W	Manufacturer's Warranty	5 years
Switching output 1, resistive	2000 W	Version	COM1 - surface, sq.
Switching output 1, number of LEDs / fluorescent lamps	8 pcs.	PU1, EAN	4007841033569
Fluorescent lamps, electronic ballast	1500 W		

Accessories

EAN 4007841 009151	Remote control Smart Remote
EAN 4007841 559410	Service remote control RC8
EAN 4007841 056711	Black cover for IR-sensors

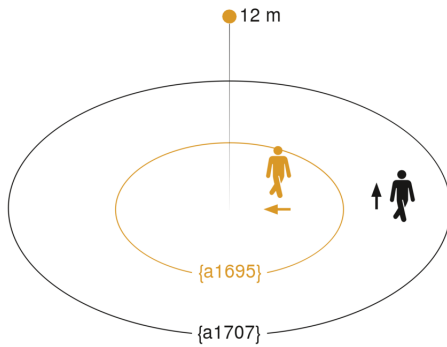
IS 3360 MX Highbay

COM1 - surface, sq.

EAN 4007841 033569

Article number 033569

Detection Zone

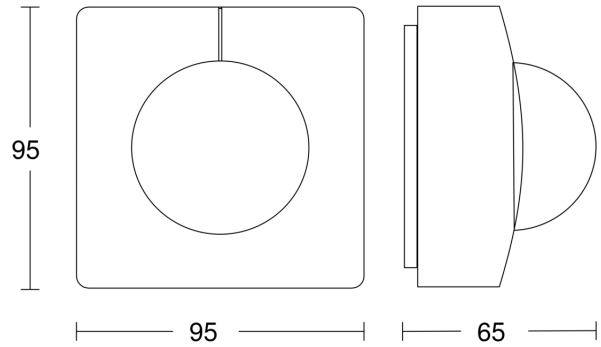


Mögliche Montagehöhe: 4,00 m – 14,00 m

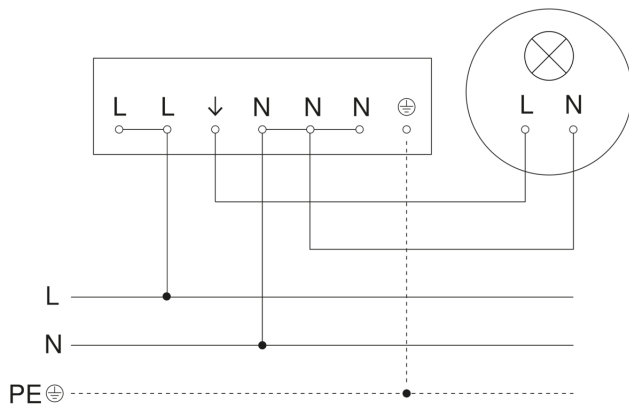
Orange: radial

Schwarz: tangential

Dimension Drawing



Master circuit diagram



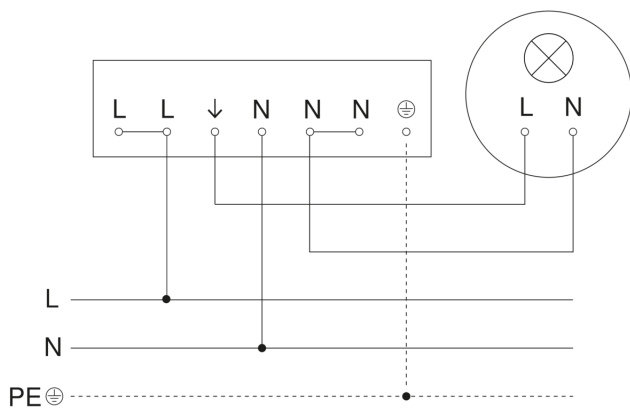
IS 3360 MX Highbay

COM1 - surface, sq.

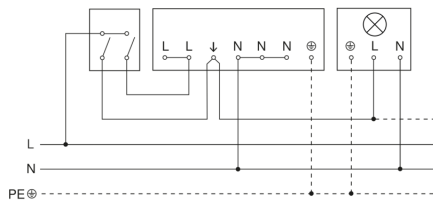
EAN 4007841 033569

Article number 033569

Master/slave interconnection circuit diagram



Connection using two-circuit switch for manual and automatic operation



Connection via a two-way switch for manual override and automatic operation

