

Presence detector - Professional Line

Dual US

COM1 - Concealed wiring
EAN 4007841 007843
Article number 007843



ultrasonic sensor
360°



3 x 20 m

2000 W

2000 W max.
(LED-ready)



IP20



ideal 2,5 - 3,5 m



indoor sensor

iQ

iQ-mode

Teach

Teach mode



energy saving

5 years

manufacturer's
warranty
[steinel-professional.de/garantie](https://www.steinel.de/garantie)

Function description

Watches over the entire corridor. And can see around corners. Dual US ultrasonic motion detector, ideal for corridors and passageways. Reliable detection within 20 m, envelops objects as opposed to penetrating them, detection regardless of temperature, electronically adjustable reach, COM1 for switching light ON and OFF.

Dual US

COM1 - Concealed wiring

EAN 4007841 007843

Article number 007843



Technical specifications

| | |
|---|-------------------------------|
| Type | Presence detector |
| Dimensions (L x W x H) | 71 x 120 x 120 mm |
| Mains power supply | 220 – 240 V / 50 – 60 Hz |
| Sensor Technology | Ultrasonic |
| Application, place | Indoors |
| Installation site | ceiling |
| Installation | Concealed wiring |
| Mounting height | 2,50 – 3,50 m |
| Reach, radial | 20 x 3 m (60 m ²) |
| Reach, tangential | 20 x 3 m (60 m ²) |
| Ultrasonic technology | 40 kHz |
| Detection angle | 360 ° |
| Angle of aperture | 180 ° |
| Optimum mounting height | 2,8 m |
| Mechanical scalability | No |
| Sneak-by guard | Yes |
| Capability of masking out individual segments | No |
| Electronic scalability | Yes |
| Twilight setting TEACH | Yes |
| Twilight setting | 10 – 1000 lx |
| Time setting | 30 s – 30 Min. |
| Output | 2000 W |
| Fluorescent lamps, electronic ballast | 1500 W |
| Fluorescent lamps, uncorrected | 1000 VA |

| | |
|---|---|
| Fluorescent lamps, series-corrected | 1000 VA |
| Fluorescent lamps, parallel-corrected | 1000 VA |
| Switching output 1, low-voltage halogen lamps | 2000 VA |
| LED lamps | 100 W |
| LED lamps > 2 W | 300 W |
| LED lamps > 8 W | 600 W |
| Capacitive load in µF | 176 µF |
| Constant-lighting control | No |
| Basic light level function | No |
| Functions | Normal / test mode, Semi-/fully automatic, Pushbutton / switch mode, Manual ON / ON-OFF |
| Settings via | Remote control, DIP switches, Potentiometers, Smart Remote |
| With remote control | No |
| Interconnection | Yes |
| Type of interconnection | Master/master, Master/slave |
| IP-rating | IP20 |
| Material | Plastic |
| Ambient temperature | -25 – 55 °C |
| Application, room | corridor / aisle, Indoors |
| Colour | white |
| Colour, RAL | 9010 |
| Manufacturer's Warranty | 5 years |
| Version | COM1 - Concealed wiring |
| PU1, EAN | 4007841007843 |

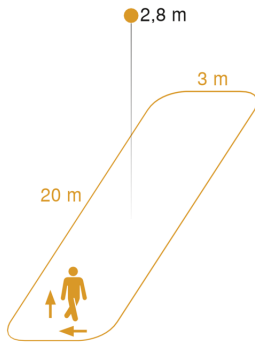
Accessories

| | |
|--------------------|-----------------------------|
| EAN 4007841 009151 | Remote control Smart Remote |
| EAN 4007841 559410 | Service remote control RC8 |

Dual US

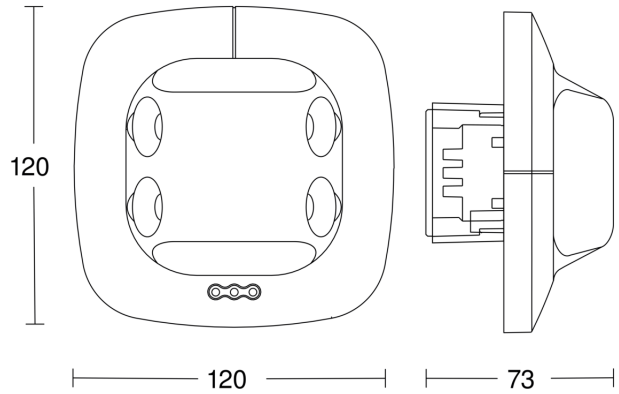
COM1 - Concealed wiring
EAN 4007841 007843
Article number 007843

Detection Zone

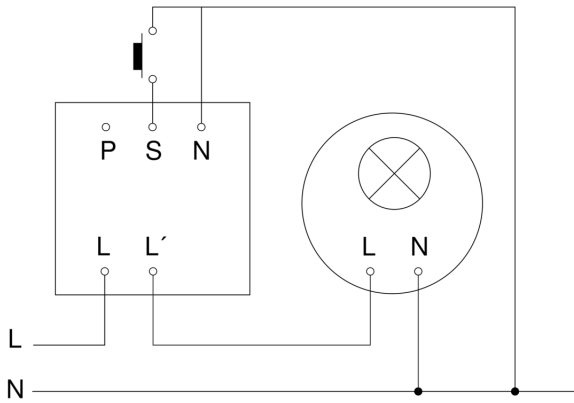


Mögliche Montagehöhe: 2,50 m – 3,50 m
Orange: radial und tangential

Dimension Drawing



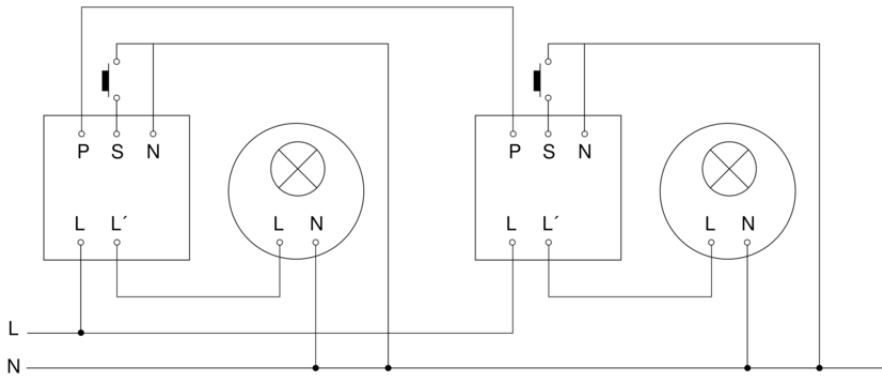
Master circuit diagram



Dual US

COM1 - Concealed wiring
EAN 4007841 007843
Article number 007843

Master/master interconnection circuit diagram



Master/slave interconnection circuit diagram

